

MISENO

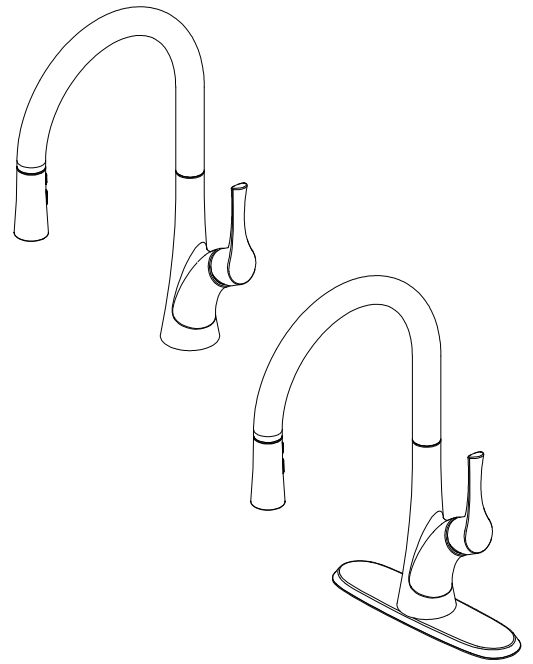
SINGLE HANDLE KITCHEN FAUCET

Model:

MNO171LCP

MNO171LZSS

MNO171LFB



CAUTION-TIPS FOR REMOVAL OF OLD FAUCET:

Always turn off water supply before removing existing faucet or replacing any part of the faucet. Open the faucet handle to relieve water pressure and ensure that water is completely shut off.

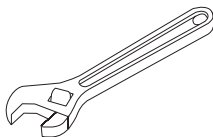
CARE INSTRUCTIONS:

To preserve the finish of your faucet, apply non-abrasive wax. Any cleaners should be rinsed off immediately. Do not use abrasive cleaners on the faucet.

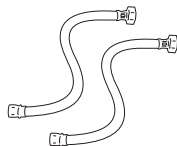
You may need/Usted puede necesitar



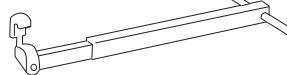
Goggles



Wrench



(2) Supply Lines



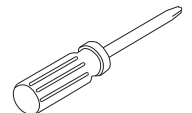
Basin Wrench



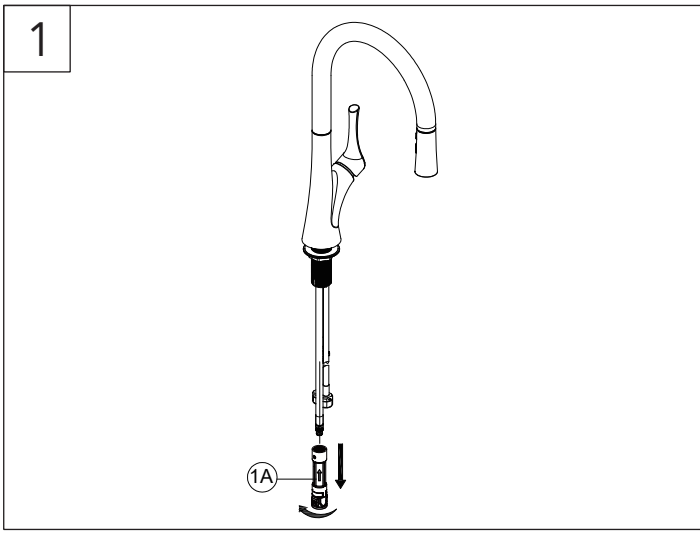
Sealant Tape



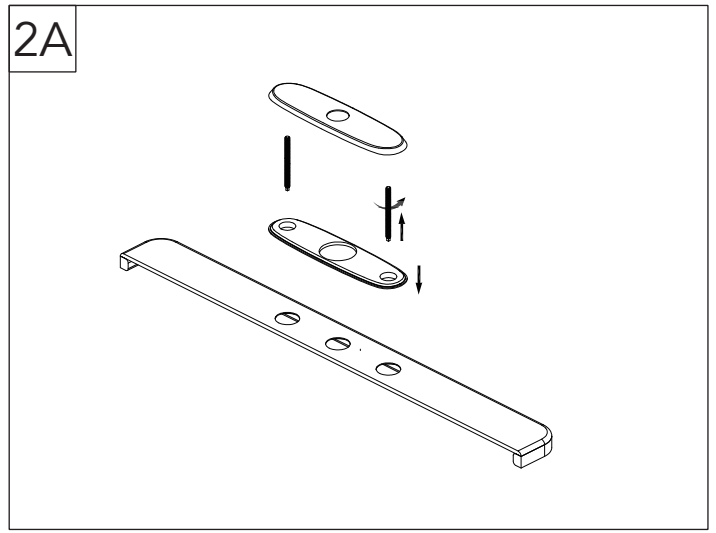
Silicone



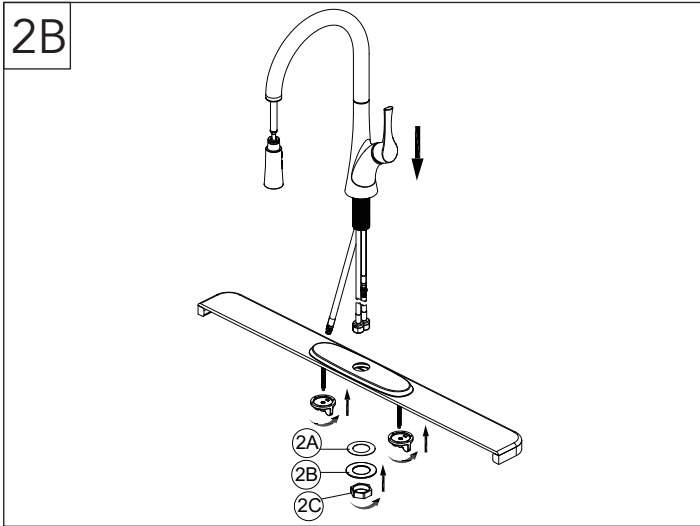
Phillips Head Screwdrivers



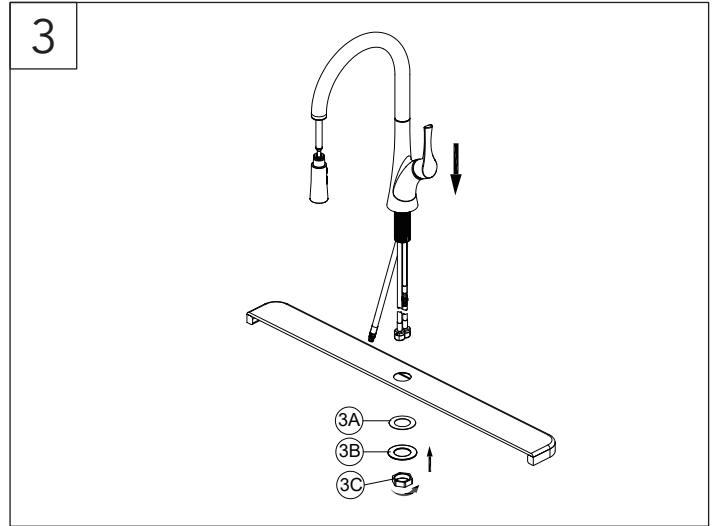
Before installation, remove plastic quick connect assembly (1A) from the rear end of pull-down hose.



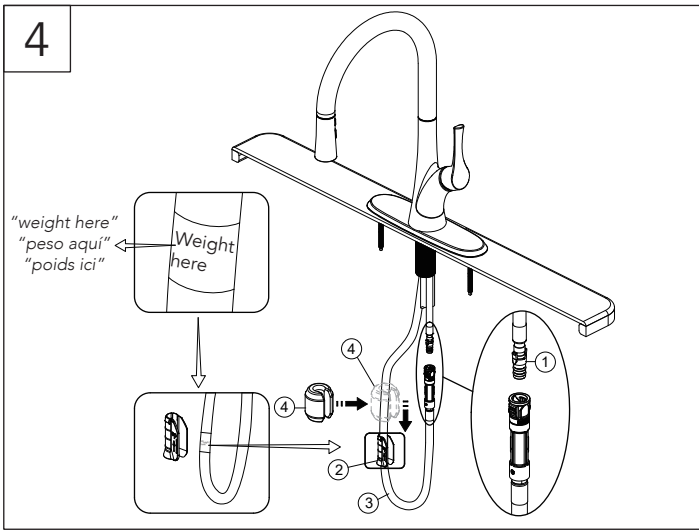
Screw bolts to the escutcheon. Insert escutcheon assembly through the base plate and the holes of the sink.



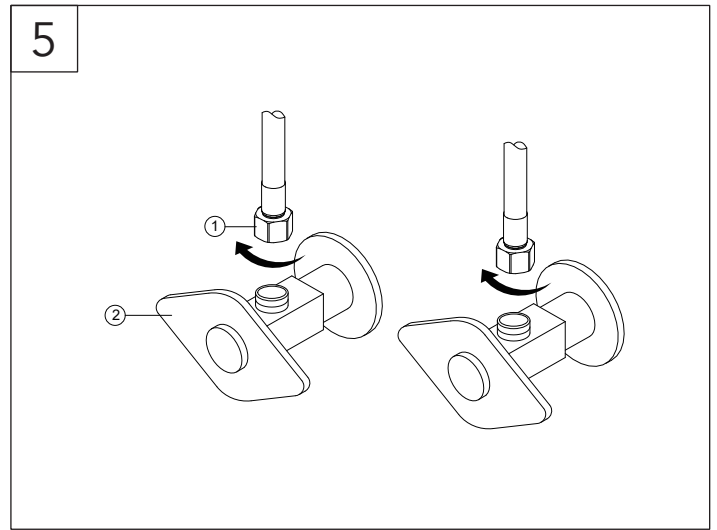
Untie black pull-down spray hose and secure sprayhead onto faucet spout ensuring it clicks into place. Insert faucet through hole in escutcheon. From underneath sink, slide plastic washer (2A), metal washer (2B), and threaded nut (2C) onto faucet ensuring that you pass both hot and cold water supply hoses through first followed by black pull-down spray hose. Secure by tightening threaded mounting nut (2C).



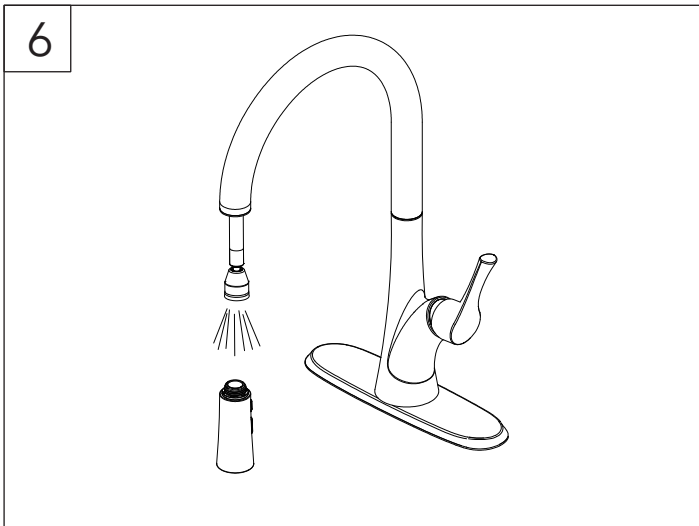
Untie black pull-down spray hose and secure sprayhead onto faucet spout ensuring it clicks into place. Insert faucet through hole in sink or countertop. From underneath sink, slide plastic washer (3A), metal washer (3B), and threaded nut (3C) onto faucet ensuring that you pass both hot and cold water supply hoses through first followed by black pull-down spray hose. Secure by tightening threaded mounting nut (3C).



Screw quick connector to the free end of hose. Align block (1) and tabs on quick connect. Push quick connect housing firmly upward and snap onto receiving block. Pull down moderately to ensure connection has been made. If it is necessary to remove quick connect, squeeze tabs on hose between index finger and thumb, then pull down to disconnect. Install the weight clip (2) at the point of the hose (3) marking "weight here". Insert the weight (4) onto the clip (2) by sliding it down onto the clip (2).

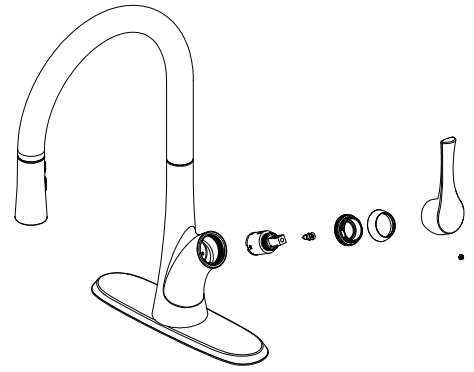


Making the waterline connections
Thread the nut (1) on supply line onto outlet of water supply valve (2) and tighten with wrench. Do not overtighten.



Important: After installation is completed, turn on hot and cold water supplies. Check for leaks. Pull the hose assembly out of the spout and remove the spray head by unscrewing it from the hose counterclockwise. Be sure to hold the end of the hose down into the sink and turn the faucet on to the warm position where it mixes hot and cold water. Flush water lines for one minute. Check for leaks. Re-tighten any connections if necessary, but do not overtighten. Reinstall spray head by hand tightening it back onto the spray hose.

Maintenance:
If faucet leaks underneath handle or water does not completely shut off: replace cartridge.



* Specify Finish

